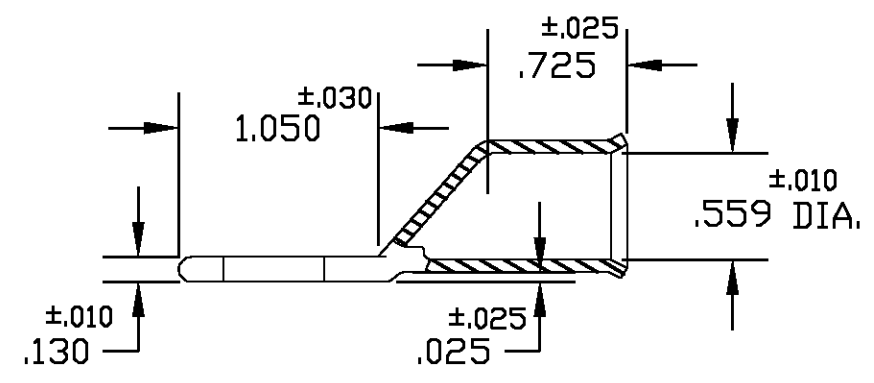
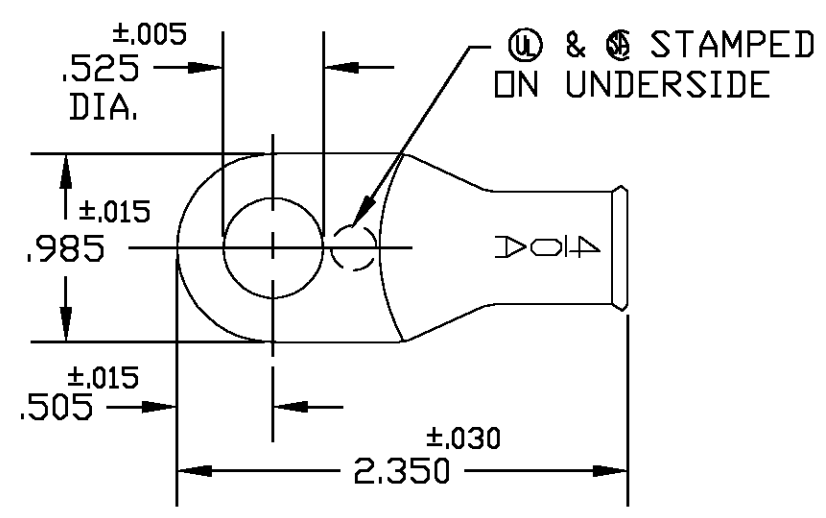


THIS DRAWING IS UNPUBLISHED. RELEASED FOR PUBLICATION
 © COPYRIGHT BY TYCO ELECTRONICS CORPORATION. ALL RIGHTS RESERVED.

LOC	DIST	REVISIONS					
		P	LTR	DESCRIPTION	DATE	DWN	APVD
G	50		C	REV PER 0G3H-0088-04	30MAR04	JR	MS



ACTIVE	40501-00-D	SMALL PACK	PLAIN	8-1526852-1
ACTIVE	40501-01	STANDARD	TIN PLATE	1526852-2
ACTIVE	40501-00	STANDARD	PLAIN	1526852-1
STATUS	AET P/N	PACKAGING	FINISH	PART NUMBER

THIS DRAWING IS A CONTROLLED DOCUMENT.		DWN D.A.A 11/3/00	Tyco Electronics Corporation Harrisburg, PA 17105-3608	
DIMENSIONS: INCHES		CHK H.D.F 11/3/00		
		APVD H.D.F 11/3/00	NAME 4/0A STANDARD TERMINAL	
TOLERANCES UNLESS OTHERWISE SPECIFIED:		PRODUCT SPEC	-	
0 PLC ± - 1 PLC ± - 2 PLC ± - 3 PLC ± - 4 PLC ± - ANGLES ± -		APPLICATION SPEC	-	
MATERIAL COPPER ASTM B-152		FINISH -	WEIGHT -	RESTRICTED TO -
CUSTOMER DRAWING			SIZE A3	CAGE CODE 00779
			DRAWING NO C-1526852	REV C
			SCALE 1:1	SHEET 1 OF 1